

CICARÉ

DREAM BELIEVE FLY



4562 East Mallory Circle
Hangar / Unit 104
Falcon Field Airport
Mesa, AZ, 85215
USA

T/F: +1 (0) 888 833 3242
mkillian@deagausa.net
www.cicare-usa.com

CICARÉ SVH4

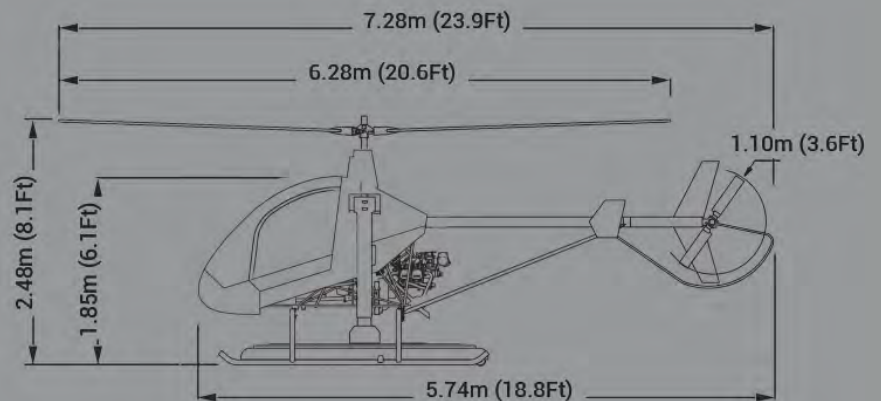
Helicopter flight trainer



CICARÉ SVH4

TECH SPECS

Seats	1
ENGINE	
Manufacturer/model	Rotax 912 ULS
Type	4 Cylinder boxer
Maximum power	100 HP
WEIGHT	
Empty	265 Kg - 584 lbs
MTOW	430 Kg - 948 lbs
PERFORMANCE	
Vertical displacement	0,90 m - 2,9 Ft
DIMENSIONS	
Main rotor diameter	6,28 m - 20,6 Ft
Widht	3,40 m - 11,1 Ft
Height	2,48 m - 8,1 Ft
Fuel type	Mogas super
Endurance	2 hrs.



A safe and affordable way of learning how to fly a helicopter.

The **CICARÉ SVH4** is a conventional helicopter attached to a unique mobile ground platform, which allows full and safe use of all flight controls including lift off to a normal hover of 3 ft AGL and hover taxiing.

The main objective of the **CICARÉ SVH4** is for the student pilot to gradually and naturally acquire the necessary feel and coordination needed to maneuver a helicopter.



Operators: Argentina, Australia, Brasil, China, Spain, France, Middle East, Switzerland, Taiwan, Turkey.