

# CICARÉ

DREAM BELIEVE FLY



4562 East Mallory Circle  
Hangar / Unit 104  
Falcon Field Airport  
Mesa, AZ, 85215  
USA

T/F: +1 (0) 888 833 3242  
mkillian@deagausa.net  
[www.cicare-usa.com](http://www.cicare-usa.com)

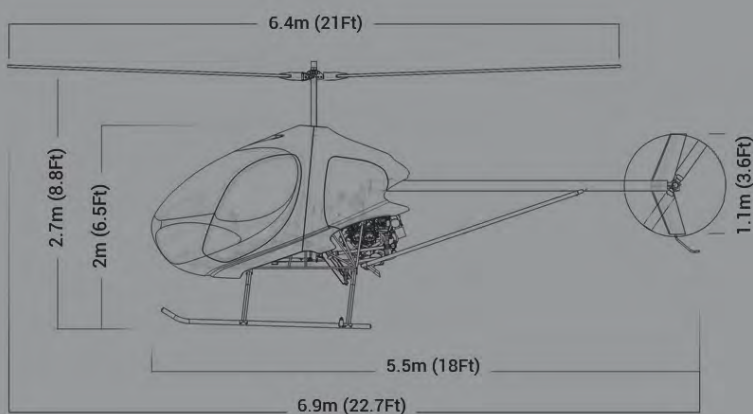
# CICARÉ 8

Two seat ULM helicopter



## CICARÉ 8 TECH SPECS

|                    |                        |
|--------------------|------------------------|
| Seats              | 2                      |
| <b>ENGINE</b>      |                        |
| Manuf./model       | <b>EPA Power 917Ti</b> |
| Type               | 4 Cylinder boxer       |
| Maximum power      | 130HP                  |
| <b>WEIGHT</b>      |                        |
| Empty              | 280Kg - 617 lb         |
| MTOW               | 450Kg - 992 lb         |
| <b>PERFORMANCE</b> |                        |
| Max speed VNE      | 194 Km/h - 100kt       |
| Cruise speed       | 160 Km/h - 80kt        |
| Vertical speed     | 7 m/s - 1400 ft/min    |
| Service ceiling    | 4500 m - 14500 ft      |
| <b>Fuel type</b>   |                        |
|                    | Mogas (unleaded)       |
| <b>Endurance</b>   | 2,5 hrs.               |



## Experience. Design

**CICARÉ 8:** The company's objective was to introduce a new helicopter with low operating cost and low fuel consumption. The cutting-edge engineering and design team, with the introduction of the latest technology in materials such as carbon fiber not only achieved their goal but also, with a lower empty weight and increased payload, produced a helicopter with a stunning appearance unprecedented for this type of aircraft.



**Operators:** Argentina, France, Spain, Germany.